

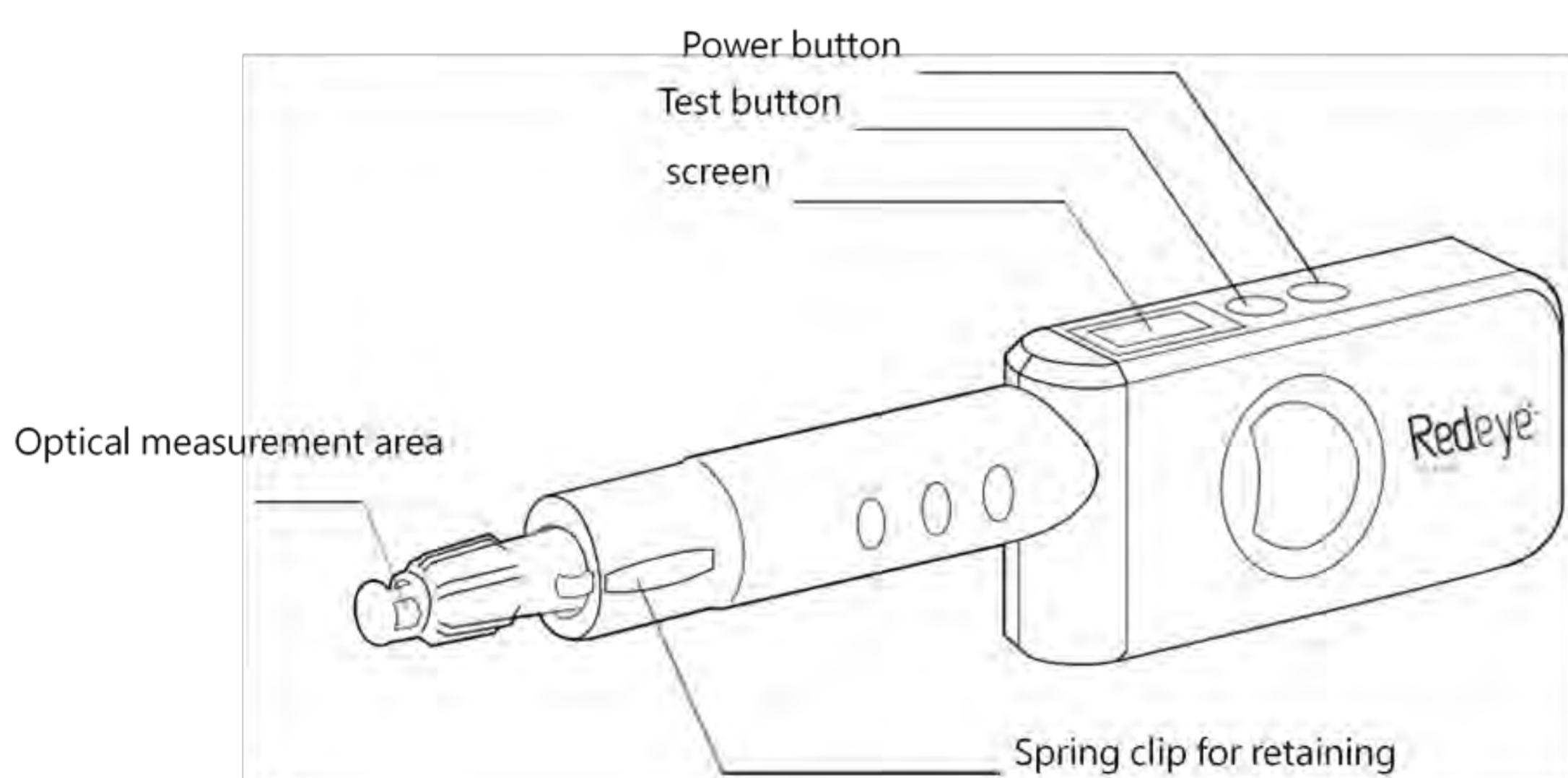
World's first photoelectric hemoglobin sensor for home use



- RedEye is an innovative startup and invents the first photoelectric hemoglobin sensor for home use in the world. RedEye is designed to detect invisible blood in toilet water that means symptoms of certain diseases such as colorectal cancer, kidney cancer, bladder cancer, etc.
- RedEye does NOT need to collect samples for inspection, easy to use, shows results in 10 seconds, which acts as a pre-screening and pre-warning tool at home.
- As we may know, colorectal cancer has been ranked No. 2 in mortality and over 1.8 million people confirmed in the world in 2018. About 1/3 of them are confirmed at stage 3 and 4 that is too late for treatment. RedEye helps increase the inspection frequency at home and gives people a hint to go to hospital for further inspection that would be hopeful to fulfill early detection and early treatment.



- Wireless charging
- Sound indication
- Power saving
- Hydrophobic coating
- Waterproof (IPX7)
- Home use



- UV sterilizing
- Warm air drying
- Smart maintenance every 12 hrs

Positive



Negative



Invalid



Explanation :

Negative represents there is blood in excreta (less than 25ppm).

Positive represents there is blood in excreta (over 25ppm).

Invalid detection which may be due to turbid water.

- RedEye is NOT defined as a medical equipment. The test results can not replace a prescription given by a medical doctor, nor can they be used to diagnose, treat, or prevent any disease.

*** For users with poor color recognition, the results can still be distinguished from the graphics.